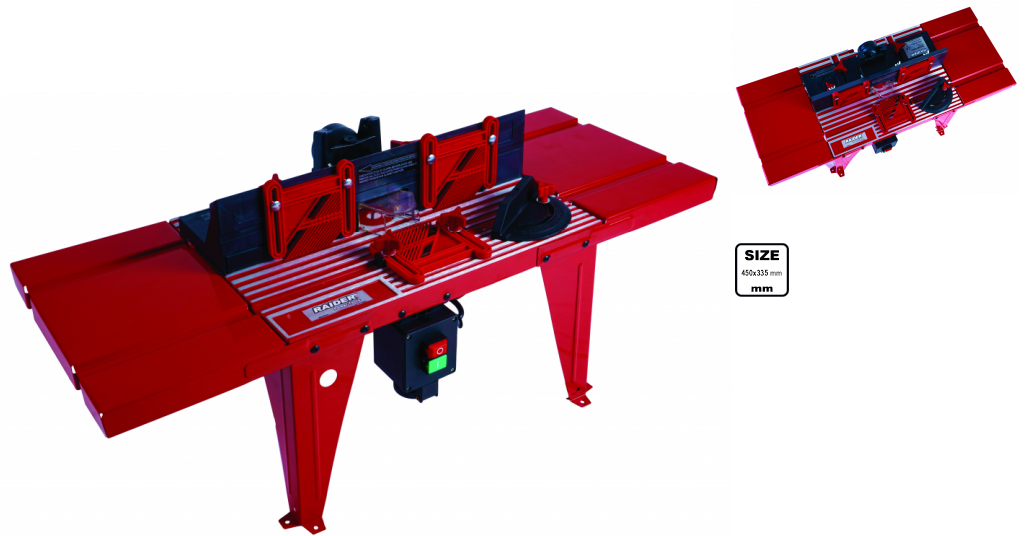


Masa ptr. frezare 220V RD-WT01 (1)

Numar articol: **059907**

Cod de bare: **3800123123467**

- ✓ Constructie stabila
- ✓ Masa suplimentara



TECHNICAL FEATURES

Parameter	Measure Unit	Value
Aplicatii		Freza
Dimensiune (mm)	mm	450x335

LOGISTICS INFORMATION

Tipul ambalajului	Cantitate	Inaltime Lungime Inaltime	Volum	Net Brut Tara	Cod de bare
buc	1 buc	48 x 16 x 6.4026 cm	0.00492 m3	5.8500 - 6.5000 - 0.6500 kg	3800123123467
bax	4 buc	17 x 89 x 13 cm	0.01967 m3	26.0000 - 26.0000 - 0.0000 kg	38001231234670