

USER'S MANUAL RD-SOG03

SOLDERING IRON

Dear Customer,

Congratulations on the purchase of machinery from the fastest growing brand of electric and pneumatic tools - RAIDER. When properly installed and operating, RAIDER are safe and reliable machines and work with them will deliver a real pleasure. For your convenience has been built and excellent service network of 32 service station across the country.

Before using this machine, please carefully acquainted with these "instructions for use". In the interest of your safety and to ensure proper use and read these instructions carefully, including the recommendations and warnings in them. To avoid unnecessary errors and accidents, it is important that these instructions will remain available for future reference to all who will use the machine. If you sell it to a new owner "instructions for use" must be submitted along with it to enable new users to become familiar with relevant safety and operating instructions.

Euromaster Import Export Ltd. is an authorized representative of the manufacturer and owner of the trademark RAIDER.
Address: Sofia City 1231, Bulgaria "Lomsko shausse" Blvd. 246, tel 02 934 33 33, 934 10 10, www.raider.bg; www.euromasterbg.com; e-mail: info@euromasterbg.com.
Since 2006 the company introduced the system of quality management ISO 9001:2008 with scope of certification: Trade, import, export and servicing of hobby and professional electrical, mechanical and pneumatic tools and general hardware. The certificate was issued by Moody International Certification Ltd, England.

TECHNICAL DATA

parameter	unit	value
Model	-	RD-SOG03
Voltage	V	220-240
Frequency	Hz	50
Input Power	W	40
Protection class	-	II



Warning!

Read all instructions. Failure to follow all instructions listed below may result in electric shock, fire and/or serious injury. The term "power tool" in all of the warnings listed below refers to your mains operated (corded) power tool or battery operated (cordless) power tool. Save these instructions.



1) Work area

- Keep work area clean and well lit. Cluttered and dark areas invite accidents.
- Do not operate power tools in explosive atmospheres, such as in the presence of flammable liquids, gasses or dust. Power tools create sparks which may ignite the dust of fumes.
- Keep children and bystanders away while operating a power tool. Distractions can cause you to lose control.



2) Electrical safety

- Do not force the power tool. Never modify the plug in any way. Do not use any adapter plugs which earthed (grounded) power tools. Unmodified plugs and matching outlets will reduce risk of electric shock.
- Avoid body contact with earthed or grounded surfaces such as pipes, radiators, ranges and refrigerators. There is an increased risk of electric shock if your body is earthed or grounded.
- Do not expose power tools to rain or wet conditions. Water entering a power tool will increase the risk of electric shock.
- Do not abuse the cord. Never use the cord for carrying, pulling or unplugging the power tool. Keep cord away from heat, oil, sharp edges or moving parts. Damaged or entangled cords increase the risk of electric shock.
- When operating a power tool outdoors, use an extension cord suitable for outdoor use. Use of a cord suitable for outdoor use reduces the risk of electric shock. Always use tool in conjunction with a residual circuit breaker device.



3) Personal safety

- Stay alert, watch what you are doing and use common sense when operating a power tool. Do not use a power tool while you are tired or under the influence of drugs, alcohol or medication. A moment of inattention while operating power tools may result in serious personal injury.
- Use safety equipment. Always wear eye protection. Safety equipment such as dust mask, non-skid safety shoes, hard hat, or hearing protection used for appropriate conditions will reduce personal injuries.
- Avoid accidental starting. Ensure the switch is in the off position before plugging in. Carrying power tools with your finger on the switch or plugging in power tools that have the switch on invites accidents.
- Remove any adjusting key or wrench before turning the power tool on. A wrench or a key left attached to a rotating part of the power tool may result in personal injury.
- Do not overreach. Keep proper footing and balance at all times. This enables better control of the power tool in unexpected situations.
- Dress properly. Do not wear loose clothing or jewellery. Keep your hair, clothing and gloves away from moving parts. Loose clothes, jewellery or long hair can be caught in moving parts.
- If devices are provided for the connection of dust extraction and collection facilities, ensure these are connected and properly used. Use of these devices can reduce dust related hazards.



4) Power tool use and care

- Do not force the power tool. Use the correct power tool for your application. The correct power tool will do the job better and safer at the rate for which it was designed.
- Do not use the power tool if the switch does not turn it on and off. Any power tool that cannot be controlled with the switch is dangerous and must be repaired.
- Disconnect the plug from the power source and /or the battery pack from the power tool before making any adjustments, changing accessories, or storing power tools. Such preventive safety measures reduce the risk of starting the power tool accidentally.
- Store idle power tools out of the reach of children and do not allow persons unfamiliar with the power tool or these instructions to operate the power tool. Power tools are dangerous in the hands of untrained users.
- Use the power tool, accessories and tool bits etc. in accordance with these instructions and in the manner intended for the particular type of power tool, taking into account the working conditions and the work to be performed. Use of the power tool for operations different from those intended could result in a hazardous situation.

5) Service

- Have your power tool serviced by a qualified repair person using only identical replacement parts. This will ensure that the safety of the power tool is maintained.
- Caution! The use of any accessories or additional tools other than those recommended in this manual may lead to an increased risk of injury. Only use original replacement parts.

OPERATING

- Connect the plug to an outlet.
- Put the soldering iron on the stand, until soldering tip is well heated.
- Melt some soldering tin on the soldering tip.
- Put the soldering tip to the point to be soldered.
- Send some soldering tin to the point, until soldering tin melt.
- Melt some tin to the other soldering part.
- Solder the two parts together; avoid over heated, cool the soldering point.



The machine, accessories and packaging should be sorted for environmental-friendly recycling. The plastic components are labelled for categorized recycling. Do not dispose of power tools into household waste! According the European Guideline 2002/96/EC for Waste Electrical and Electronic Equipment and its implementation into national right, power tools that are no longer usable must be collected separately and disposed of in an environmentally correct manner.



EC DECLARATION OF CONFORMITY

Euromaster Import Export Ltd.
Address: Sofia 1231, Bulgaria, 246 Lomsko shausse Blvd.

Product: Soldering Iron
Trademark: RAIDER
Model: RD-SI01J

is designed and manufactured in conformity with following Directives:

2006/95/EC of the European Parliament and of the Council of 12 December 2006 on the harmonisation of the laws of Member States relating to electrical equipment designed for use within certain voltage limits;
2004/108/EC of the European Parliament and of the Council of 15 December 2004 on the approximation of the laws of the Member States relating to electromagnetic compatibility

and fulfils requirements of the following standards:

EN 60335-1:2002/A1:2004/A11:2004/A2:2006/A12:2006
EN 60335-2-45:2002
EN 62233:2008
EN 55014-1:2006
EN 55014-2:1997/A1:2001
EN 61000-3-2:2006
EN 61000-3-3:2008



Krasimir Petkov

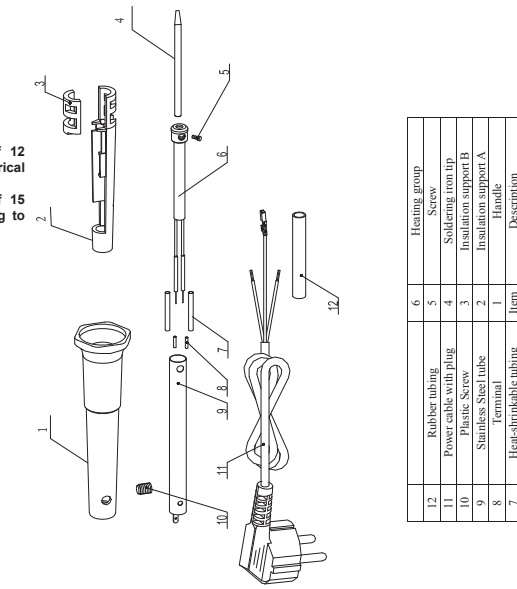
Place/Date of Issue:
Sofia, Bulgaria
April 01, 2015

Brand Manager:
Krasimir Petkov

"RAIDER" power tools are designed and manufactured in accordance with the regulations and standards for compliance with all safety requirements.
Content and scope of the commercial guarantee.

WARRANTY CONDITIONS

The warranty period is:
- For domestic use (private) - 24 months.
- For professional use (for companies) - 12 months.
User is entitled to free repair service in insured warranty period if the warranty card is filled properly made with signature and dealer's stamp, sold the instrument signed by the client that is aware of the warranty conditions and fiscal cash register receipt or invoice showing the date of purchase.
Repairs are accepted only cleaned machines!
Appliances should only be used appropriately and in accordance with the instructions.
To ensure safe operation is required the customer to be familiar with instructions for use of power tool safety rules when working with it and its particular purpose. The unit requires periodic cleaning and proper maintenance.
Warranty does not cover:
- Wear of colored coating of tools;
- Parts and consumables, which are subject to wear caused by use such as: grease, oil, brushes, guides, rollers, pads, drive belts, flexible wire shaft, bearings, seals, piston with a hammer tackers, etc.;
- Accessories and supplies such as: handles, nose, batteries, cases, chargers, drills, cutting discs, chisel knives, chains, sandpaper, stops, polishing discs, chucks (grip, holder of the cutting tool) to cord reel itself cord for lawn mowers, etc.;
- Fusible fuses and bulbs;
- Mechanical damage to the hull and all external components of the device, including ornamental;
- Fuses eye fuses cutting tools, rubber plates, frames, rulers, etc.;
- Cord and plug;
- Overall damage to instruments caused by natural disasters such as fires, floods, earthquakes, etc.;
The warranty is not valid in a cases where:
- Inconsistent serial number of this article with a completed warranty card;
- The label is removed or completely missing one;
- Is attempting to unauthorized interference with unauthorized service base camp;
- Damage caused due to misuse (non instructions) of the device by the customer;
- Damage caused due to careless handling of the device;
- Damage to rotor or stator, consisting of the bonding between them, due to melting of insulation caused by the continuous overload;
- Damage to rotor or stator caused by overload or impaired ventilation, expressed in the change of the collector or windings;
- No protective disks, support panels or other components that are part of the structure of the instrument and are intended to ensure its safe and proper operation;
- The cord of the instrument is extended or replaced by the customer;
- Damage caused by overload or lack of ventilation and insufficient lubrication of moving components;
- Wear and tear bearings or blocked due to overloading, or powder;
- Broken bearing collar;
- Breach the integrity of the teeth of gears (broken, worn);
- Broken spline or bolting;
- Failure On/Off switch or electronic control caused by dust or breakage;
- Broken gear box (head) caused by the lock mechanism;
- Occurrence of abnormal clearance between piston and cylinder as a result of overloading or dust;
- Tightening between piston and cylinder as a result of overloading or dust;
- Damaged centrifugal wheel and brake (discolored) - due to work by a blocked brake;
The deadline for a renovated adopted in electric service is within a month.
Workshops are not responsible for the instruments are not contacted by the owners one month after the statutory period for repair!



Item	Description
6	Heating group
5	Screws
4	Soldering iron tip
3	Insulation support B
2	Insulation support A
1	Handle
7	Heat-resistant tubing
12	Rubber tubing
11	Power cable with plug
10	Plastic screws
9	Stainless steel tube
8	Heat-resistant tubing

RAIDER

SC EUROMASTER SRL
STR.HORIA,CLOSCA SI CRISAN,NR.5,HALA 3,OTOPENI, ILFOV
TEL/FAX:021.351.01.06

CERTIFICAT DE GARANTIE

Nr. _____ din _____

Denumirea _____

Seria de fabricatie a produsului _____

Caracteristici tehnice _____

Garantie comerciala : PODUS HOBBY.Termen de garantie: 24 luni de la data vanzarii catre consumatorul casnic (pentru toata gama RAIDER).
Durata medie de utilizare: 3 ani

Vandut prin societatea _____ din localitatea _____

nr. _____ cu _____

factura nr. _____ din _____

ator _____

Data cumpararii produsului _____